

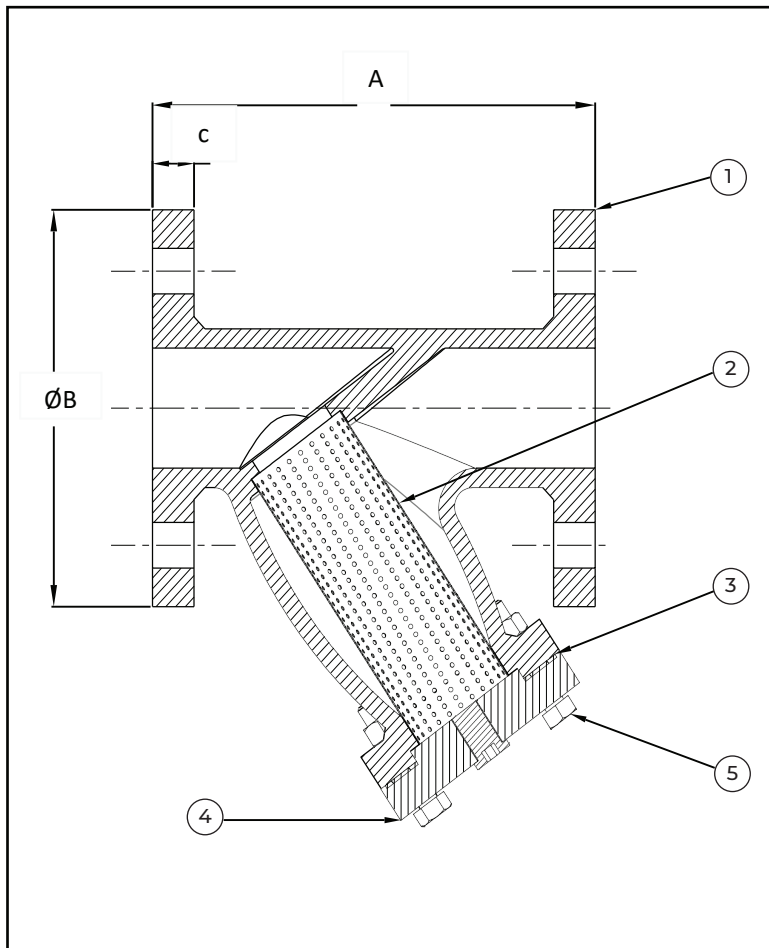


Item Number- 710.F

Y Strainer

Y Strainer is designed to mechanically remove solids and suspended particles from liquid. Tyrox offers wide range of Y Strainers in HVAC for heating and cooling applications.

Type: Flange
 Pressure Rating: PN16
 Shell Test Pressure: 24 Bar
 Seal Test Pressure: 17 Bar
 Medium Temperature: -10 °C to 110 °C
 Suitable Media: Potable Water



Part No.	Part	Material
1	Body	Cast Iron
2	Strainer	SS 304
3	Gasket	EPDM
4	Cover	Cast Iron
5	Nut & Bolt	Carbon Steel

Outer Dimensions											
Size	DN 40	DN 50	DN 65	DN 80	DN 100	DN 125	DN 150	DN 200	DN 250	DN 300	DN 350
A	205	205	220	265	330	418	440	525	725	750	845
B	135	154	160	186	215	255	285	340	405	480	535
C	16	16	16	17	20	20	22	22	25	25	30

