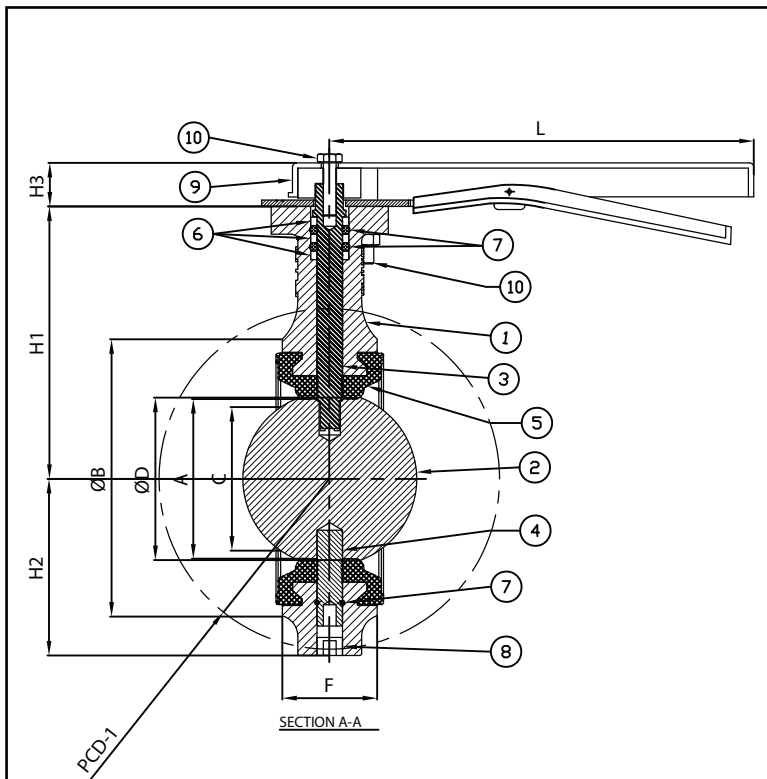




Butterfly valve is a regulation device. Butterfly valve isolates/ regulate the flow of liquid. Tyrox offers wide range of manual butterfly valves in HVAC for heating and cooling applications.

Type: Wafer
 Pressure Rating: PN16
 Shell Test Pressure: 24 Bar
 Seal Test Pressure: 17 Bar
 Medium Temperature: -10 °C to 110 °C
 Suitable Media: Potable Water



Part No.	Part	Material
1	Body	IS:210 Gr. FG 200 (CI)
2	Disc	Ductile Iron
3	Upper Stem	ASTM A276 Gr. SS410
4	Lower Stem	ASTM A276 Gr. SS410
5	Seat	EPDM
1	Body Bush	Nylon
2	O-Rings	EPDM
3	Lower Plug	Nylon
4	Cover	Cast Iron
5	Handlever	M.S Sheet
5	Fasteners	M.S / S.S

Outer Dimensions									
Valve Size	DN50	DN65	DN80	DN100	DN125	DN150	DN200	DN250	DN300
A	43	46	46	52	56	56	60	68	78
H1	67	75	82	100	114	135	161	205	230
H2	110	118	130	145	156	176	220	280	305
H3	28	34	35	39	39	39	45	45	45
L	175	216	216	267	267	267	350	350	350
ØD	50.5	65	80	100	123	148.5	197	50.5	299.5
Ød	94	110	127	150	175	205	265	325	376