

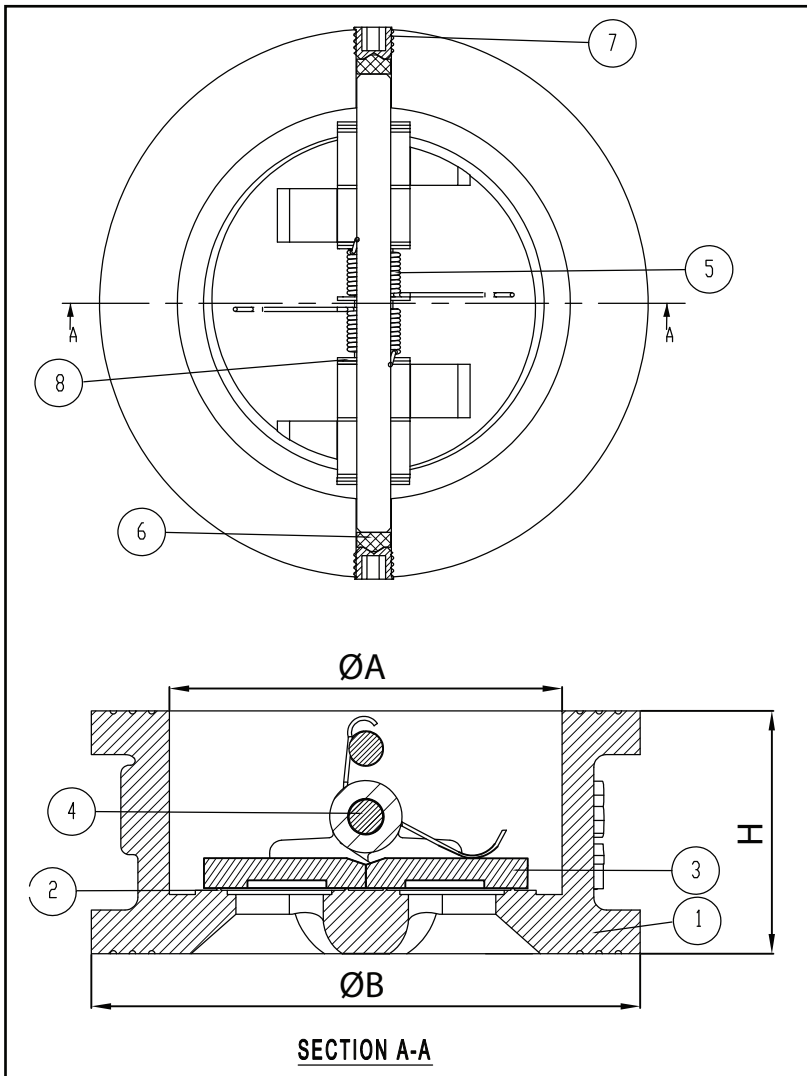


# Item Number- 510.W

# Dual Plate Check Valve

Dual Plate Check Valve/ Non-return valve (NRV) is a backflow prevention device. Tyrox offers wide range of dual plate check valves in HVAC for heating and cooling applications.

Type: Wafer  
 Pressure Rating: PN16  
 Shell Test Pressure: 24 Bar  
 Seal Test Pressure: 17 Bar  
 Medium Temperature: -10 °C to 110 °C  
 Suitable Media: Potable Water



Part No.	Part	Material
1	Body	Cast Iron
2	Seat	Ductile Iron
3	Plates	Stainless Steel
4	Shaft	SS 304
5	Spring	SS 304
6	O-Ring	Nitrile
7	Plug	Mild Steel
8	Washer	Stainless Steel

Outer Dimensions										
Size	DN 40	DN 50	DN 65	DN 80	DN 100	DN 125	DN 150	DN 200	DN 250	DN 300
A	52	63	75	92	116	145	169	220	273	324
B	80	100	120	130	170	192	215	275	335	405
H	43	54	54	57	64	70	76	95	108	143

